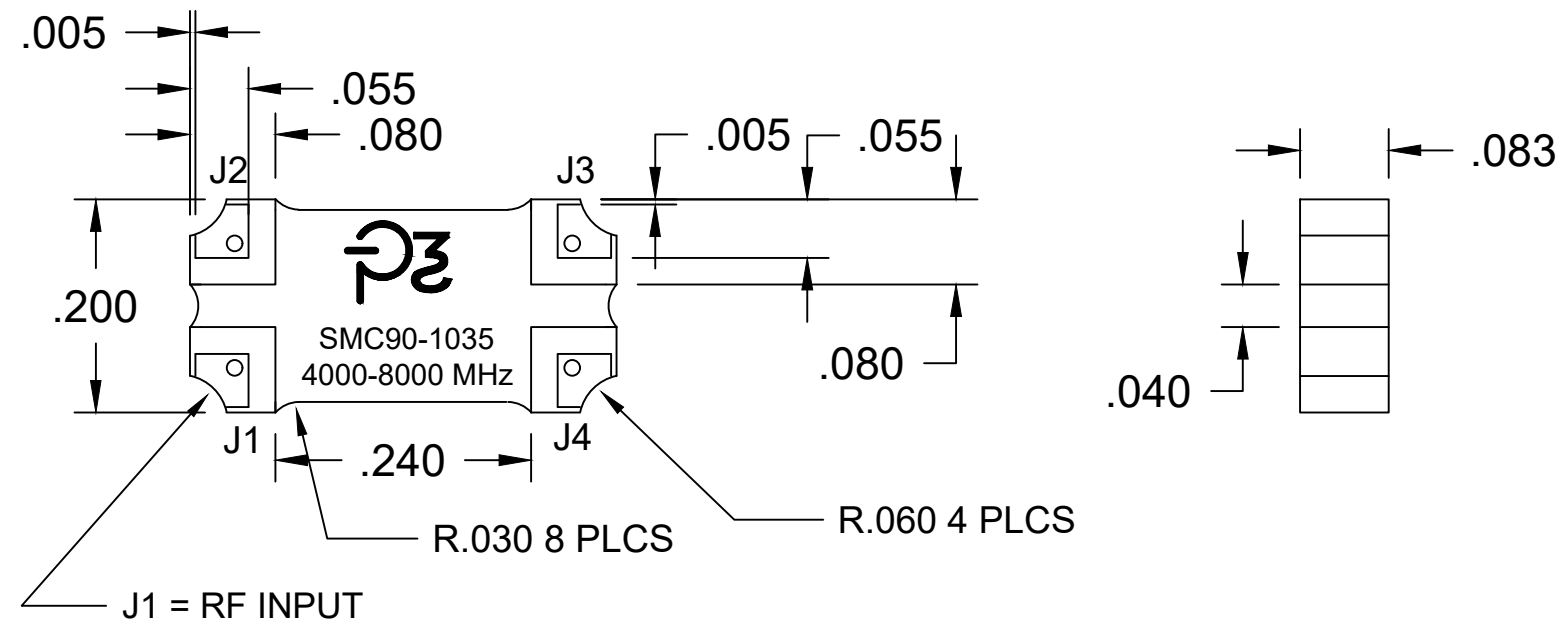


REV	RELEASE	DESCRIPTION	APPR	DATE
A	NEW	INITIAL RELEASE	PD	9/27/19



SPECIFICATIONS:

Frequency: 4000-8000 MHz.
 Power: 75 Watts CW
 Insertion Loss: 0.30 dB Max.
 Isolation: 17 dB Min.
 Phase Bal.: 90° ±6.0° Max.
 VSWR: 1.30 Max..
 Amplitude Bal.: ±0.60 dB Max.
 Oper. Temp.: -55° to +85°C

MECHANICAL:

Board Material: PTFE
 Finish: Emmersion Tin Plate

PORT CONFIGURATION

PORTS	J1	J2	J3	J4
J1	--	0°	-90°	ISO
J2	0°	--	ISO	-90°
J3	-90°	ISO	--	0°
J4	ISO	-90°	0°	--



 PREFERRED POWER PRODUCTS PALM CITY, FLORIDA 34990	UNLESS OTHERWISE SPECIFIED ALL DIMENSIONS ARE IN INCHES TOLERANCES: <table border="1"> <thead> <tr> <th>DECIMALS</th> <th>ANGULAR</th> </tr> </thead> <tbody> <tr> <td>.X ± .1</td> <td>± .5°</td> </tr> <tr> <td>.XX ± .01</td> <td></td> </tr> <tr> <td>.XXX ± .005</td> <td></td> </tr> </tbody> </table>	DECIMALS	ANGULAR	.X ± .1	± .5°	.XX ± .01		.XXX ± .005		PART NO. SMC90-1035 HYBRID COUPLER, SMT, 90 DEG. 4000-8000 MHz. 75 WATT	
	DECIMALS	ANGULAR									
.X ± .1	± .5°										
.XX ± .01											
.XXX ± .005											
THIS DRAWING AND ALL CONTENTS HEREIN, ARE THE SOLE, PROPRIETARY PROPERTY OF PREFERRED POWER PRODUCTS, LLC AND MAY NOT BE USED, REPRODUCED OR DISCLOSED WITHOUT EXPRESSED WRITTEN CONSENT.	CHECKED PD 9/27/19 DRAWN PD 9/27/19 CAGE CODE 7W5T7	APPROVED PD 9/27/19 ENGINEER PD 9/27/19 SCALE 1:1	SHEET 1 OF 1								